



28.-29. Mai 2010

www.passivhaustagung.de www.saena.de

14. Internationale Passivhaustagung in Dresden

Order for exhibition booth building and standard equipment

Send form back to (until 30 April 2010):

Kehr ExpoModul GmbH
Koenigsbruecker Landstrasse 40
D - 01109 Dresden / Germany



Contact: Ms. Kristin Haupt **Fax:** +49.(0)351.8802552
Phone: +49.(0)351.8802550 **E-Mail:** k.haupt@kehr-expomodul.de

messebau + marketing

Standard shell scheme booth (system MODUL white)

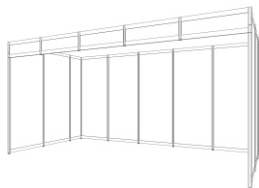
Custom designed stands are available on request.

Booth size: Width _____ m x Depth _____ m = _____ sqm

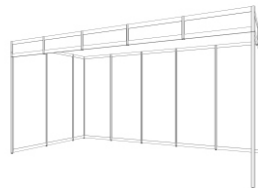
47,50 EUR/sqm

Standard equipment:

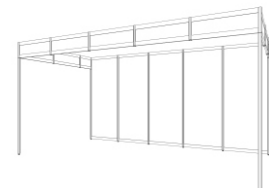
Support and frame elements white, 8-chamber-utility system, In-filling walls white, Fascia board on each of the open sides of the stand, height 35 cm, with lettering (max. 30 letters)



Row stand, one open side



Corner stand, two open sides



Head stand, three open sides

Additional Equipment

Qty.	Article	EUR/pce.	Qty.	Article	EUR/pce.
...	17" TFT-Monitor with PC, Keyboard, Mouse	315,00	...	Plant in ornamental pot (approx. 1.50 m high)	45,00
...	20" TFT-Monitor with stand (without PC)	165,00	...	Refrigerator, 140 l, white	65,00
...	40" TFT-Monitor incl. wall mount or stand	675,00	...	Shelf, white, 100 x 30 cm	20,00
...	Bar stool, chrome/black	20,00	...	Sideboard, 100 x 40 x 80 cm, lockable	65,00
...	Booth, 1 x 1 m, with curtain	55,00	...	Standard information counter 110 x 60 x 105 cm	75,00
...	Booth, 1 x 2 m, with lockable door	115,00	...	Standard long-arm spotlight	18,00
...	Brochure display, 100 x 30 (wall mounted)	25,00	...	Standing (Bar) table, diameter 60 cm	25,00
...	Brochure rack, 3 x A4	30,00	...	Standing computer station 50 x 50 x 110 cm,	65,00
...	Brochure rack, 6 x A4	40,00	...	white body, lockable, 1 triple power outlet	
...	Carpet, rip quality, grey, blue, red including laying and disposal, per sqm	8,50	...	Storage shelving, 5 shelves, white	70,00
...	Chair Upholstered without armrest	25,00	...	Showcase 100 x 50 x 100 cm	145,00
...	Chair Bistro, chrome/black	15,00	...	Showcase 50 x 50 x 200 cm	185,00
...	Coat rack, 4 hooks, white	18,00	...	Showcase 100 x 50 x 200 cm	215,00
...	Coffee machine	10,00	...	Table, round, diameter 70 cm	30,00
...	Conductive rail for lighting with 3 spotlights	41,00	...	Table glass, round, height 35 cm	45,00
...	Combi-kitchen (sink unit, 2 hobs, refrigerator)	195,00	...	Table, square, 70 x 70 cm	35,00
...	Display cube (podium) 100 x 100 x 100 cm	75,00	...	Table, square, 80 x 80 cm	35,00
...	Display cube (podium) 50 x 50 x 100 cm	60,00	...	Table, square, 120 x 70 cm	50,00
...	Flipchart	45,00	...	Triple-outlet power extension	4,50
...	Laptop with Kensington lock	275,00	...	Wall element, white, 100 x 250 cm, per metre	30,00
...	Leather sofa black	95,00	...	Waste paper bin	4,00

Individual equipment on request.

Please note: The hire of equipment does not entitle the user to the ownership of this equipment. Prices include set-up, dismantling, transport and installation. The provided technology is new. Part of the agreement is the insurance of the technology by your company. Liability in case of damage (fire, theft, improper treatment) is without reservation in your company's responsibility.

Fascia inscription (Please fill in with capital letters, up to 30 letters, additional cost per every further letter 1.50 EUR).

 We can also provide a different layout as per your request and it will be charged according to expenditure. Please get in contact with us and send us a reproduceable copy of your logo.

In order to be able to properly process your order, we request the following:

- a colour pattern or please state the colour number (HKS, RAL or Pantone)
- an example of the font requested or the exact designation of the font (for instance: Helvetica)
- we reserve the right to make modifications in the selection of technology and the material used to include the latest advancements in the interest of our customers. You may send this information by E-Mail to "peter@kehr-expomodul.de".

Note (Terms of payment and business)

All prices including set-up, dismantling, delivery and return transport. All prices ex 19% German VAT.

Do not use nails, screws or a drill on the wall segments. Tape has to be removed entirely afterwards.

We reserve the right to make modifications in the selection of technology and the material used to include the latest advancements in the interest of our customers. All dimensions given in cm unless stated otherwise.

Issuing of the invoice occurs 14 days before the exhibition begins. The invoice has to be paid until taking over the exhibition booth or the equipment. Orders with a contract value of less than 100,00 EUR incl. VAT should be paid on-site in cash during the set-up/delivery of the booth or the equipment.

For orders, which are received 2 weeks or less prior to the beginning of the event the customer will be charged an additional 25% of the rental price for the additional costs incurred through the delayed order. That applies to orders on-site during the build-up period or during the event too.

Kehr ExpoModul GmbH may also invoice during the event, with immediate payment by cash to be collected by authorized representatives of the Kehr ExpoModul GmbH.

company	telephone
	telefax
street / p.o.b.	personal contact
postal code / city /country	booth no.
e-mail-address	
..... place / date company stamp / sign



17" TFT-Monitor with PC, Keyboard, Mouse



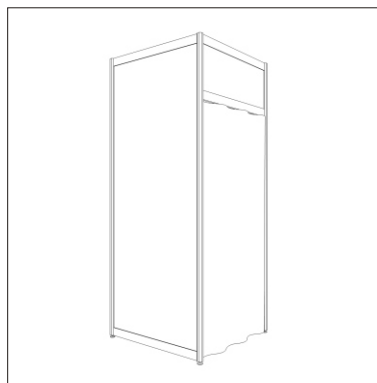
20" TFT-Monitor with stand (without PC)



40" TFT-Monitor incl. wall mount or stand



Bar stool, chrome/black



Booth, 1 x 1 m, with curtain



Booth, 1 x 2 m, with lockable door



Brochure display, 100 x 30 cm (wall mounted)



Brochure stand, 3 x A4



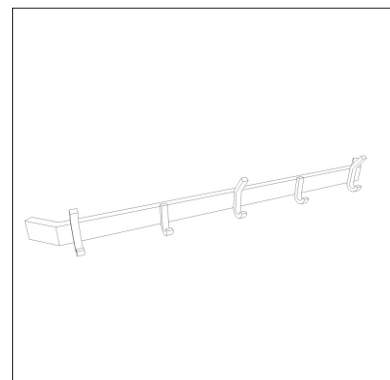
Brochure stand, 6 x A4



Chair Upholstered without armrest



Chair Bistro, chrome/black



Coat rack, 4 hooks, white



Coffee machine



Conductive rail (for lighting) with 3 spotlights



Combi-kitchen (sink unit, 2 hobs, refrigerator)



Display cube (podium) 100 x 100 x 100 cm



Display cube (podium) 50 x 50 x 100 cm



Flipchart



Laptop with Kensington lock



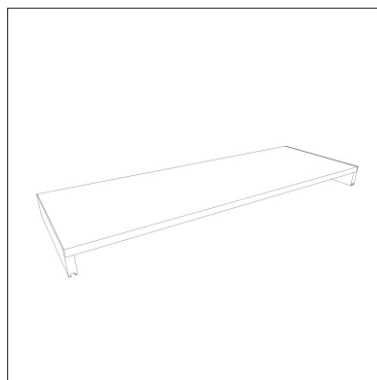
Leather sofa black



Plant in ornamental pot (approx. 1.50 m high)



Refrigerator, 140 l, white



Shelf, white, 100 x 30 cm



Sideboard, 100 x 40 x 80 cm, lockable



Standard information counter 110 x 60 x 105 cm



Standard long-arm spotlight



Standing (Bar) table, diameter 60 cm



Standing computer station 50 x 50 x 110 cm, white body, lockable, 1 triple power outlet



Storage shelving, 5 shelves, white



Showcase 100 x 50 x 100 cm



Showcase 50 x 50 x 200 cm



Showcase 100 x 50 x 200 cm



Table, round, diameter 70 cm



Table glass, round, height 35 cm



Table, square, 70 x 70 cm



Table, square, 80 x 80 cm



Table, square, 120 x 70 cm



Triple-outlet power extension



Wall element, white, 100 x 250 cm, per metre



Waste paper bin